

RP7 SINGLE-PHASE POWER CONTROLLER

FEATURES:



- Contactless power switching on.
- For power control of resistive and resistive-inductive energy receivers, and rotational speed control of single-phase motors with a capacitor or commutator motors at small loads.
- Output current: 5, 10 or 15 A.
- Trigger deceleration of "softstart" type.
- Signaling of fuse damages.
- Control of the initial trigger angle value.
- Receiver current limitation and limitation of the receiver current and release angle.
- Control by a continuous or potentiometric signal.
- Phase control.

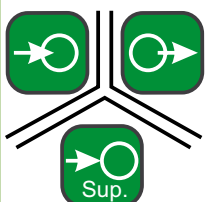
INPUT:



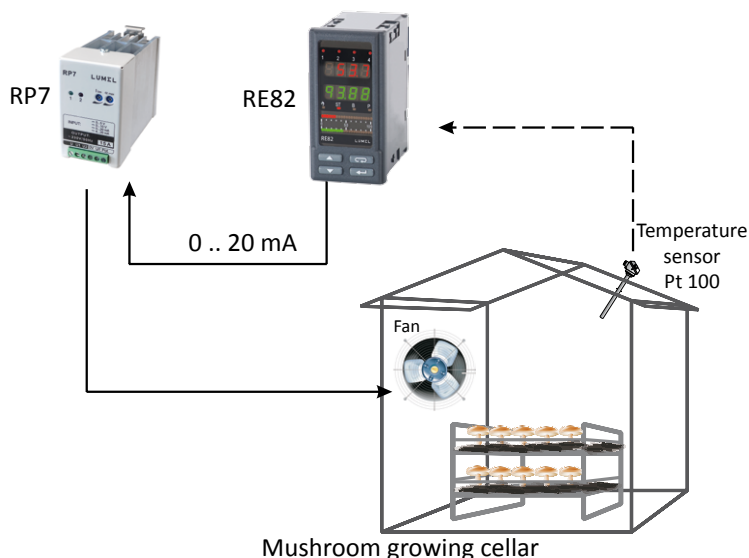
OUTPUTS:



GALVANIC ISOLATION:



EXAMPLE OF APPLICATION



Ventilation of production halls.

INPUTS

Input type	Range	Remarks
potentiometric	0 .. 10 k Ω	
continuous	0 .. 5 V	input resistance: 3 k Ω
continuous	0 .. 10 V	input resistance: 6 k Ω
continuous	0 .. 20 mA	input resistance: 250 Ω
continuous	4 .. 20 mA	input resistance: 250 Ω

OUTPUTS

Output type	Properties
triac	5, 10, 15 A; 195 .. 230 .. 253 V

EXTERNAL FEATURES

Overall dimensions	50 x 105 x 105 mm
Weight	0.55 kg
Protection grade	IP20

RATED OPERATING CONDITIONS

Temperature	ambient: 5 .. 20 .. 50°C	storage: -20 .. 80°C
Operating position	vertical	
External magnetic field	< 400 A/m	

SAFETY AND COMPATIBILITY REQUIREMENTS

Electromagnetic compatibility	noise immunity	acc. to EN 60947-4-3
	noise emissions	acc. to EN 60947-4-3
Pollution level	2	
Installation category	III	
Maximal phase-to-earth operating voltage	320 V for power circuits and supply, 50 V for other circuits	for input circuits: 50 V

Technical support:
tel.: (+48 68) 45 75 143, 45 75 141,
45 75 144, 45 75 140
e-mail: export@lumel.com.pl

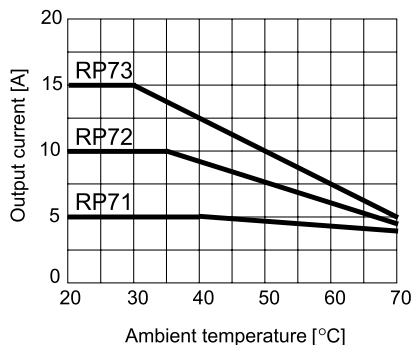
Export department:
tel.: (+48 68) 45 75 130, 45 75 132
e-mail: export@lumel.com.pl

Calibration & Attestation:
e-mail: laboratorium@lumel.com.pl

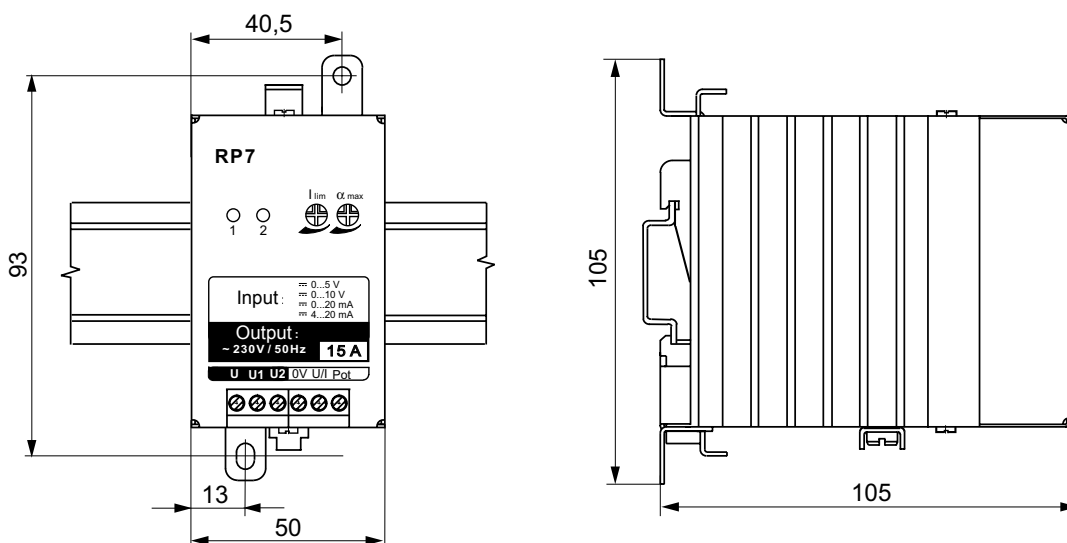
LUMEL S.A.
ul. Stubicka 4,
65-127 Zielona Góra, Poland
tel.: +48 68 45 75 100,
WWW.LUMEL.COM.PL

RP7 SINGLE-PHASE POWER CONTROLLER

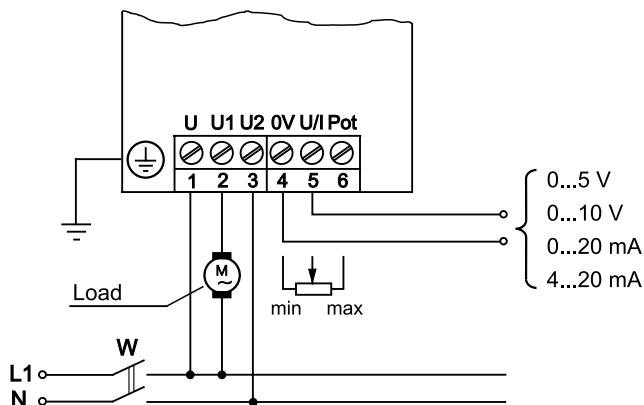
LOAD CAPACITY



OVERALL AND MOUNTING DIMENSIONS



CONNECTION DIAGRAM



ORDERING

Code	Description
RP7 300	Power controller RP7 maximum output current 15A; documentation in English; test certificate

For more information
about LUMEL's
products please visit
our website:
www.lumel.com.pl

Technical support:
tel.: (+48 68) 45 75 143, 45 75 141,
45 75 144, 45 75 140
e-mail: export@lumel.com.pl
Export department:
tel.: (+48 68) 45 75 130, 45 75 132
e-mail: export@lumel.com.pl
Calibration & Attestation:
e-mail: laboratorium@lumel.com.pl

LUMEL S.A.
ul. Stubicka 4,
65-127 Zielona Góra, Poland
tel.: +48 68 45 75 100,
WWW.LUMEL.COM.PL